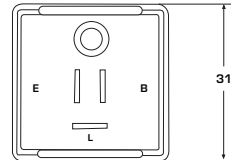
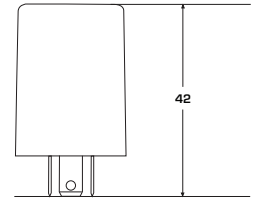


1010EP32

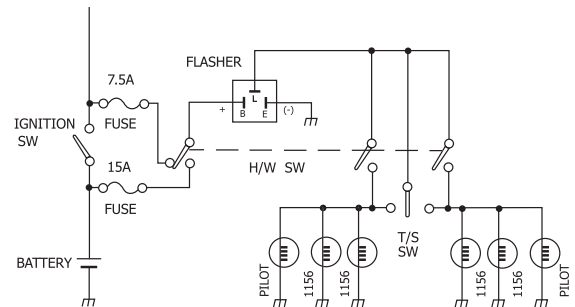
12 Volt electronic flasher

- Socket Mountable
- Three Terminal J.S.O. Pin-out
- Precise Square Wave I.C. Controller
- High Temperature Plastic Enclosure
- Standard Three Terminal I.S.O. Pin-out
- Solid State Relay Driver Technology
- Highest O.E.M. Quality Printed Circuit Board Materials
- Quality and Durability Equal to O.E.M. Products
- Safety Warning with Fast Flash Rate When One Lamp Fails



Application

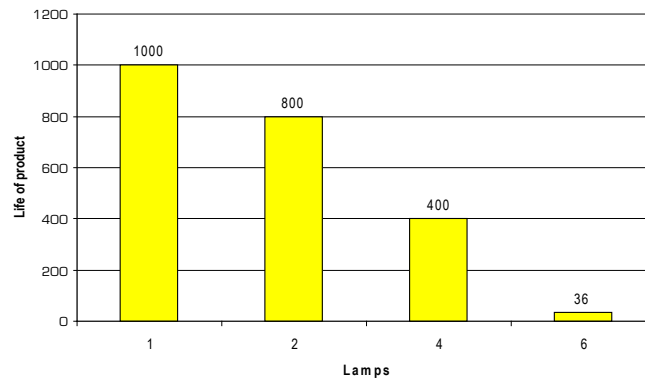
- J.S.O. FLASHER APPLICATIONS
 - Designed to Meet International Standards
 - 2 Lamp Turn Signal, 4 Lamp Hazard Flasher
 - Check ACD Tridon Application Guide for Vehicle



Design Life

- 600 Hours as a Combination Flasher

Technology vs design life vs lamp load



| Characteristic | Min | Max | Unit |
|-------------------|-----|-----|--------------|
| Load Rating | 2 | 4 | Lamps |
| Flash Rate | 60 | 120 | Flash/min |
| Duty Cycle | 35 | 75 | % |
| Time to 1st Flash | | .75 | Seconds |
| Voltage Drop | | .4 | V @ Max Load |
| Voltage Range | 9 | 16 | Volts |
| Temperature Range | -40 | +85 | Degrees C |

>address

Triscan a/s
Engmarken 11
DK-8220 Brabrand
Denmark

>contact

Phone +45 8622 5811
Fax +45 8622 5877

>contact

email auto@triscan.dk
www.triscan.com