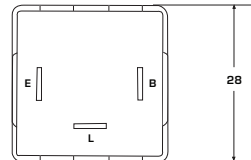
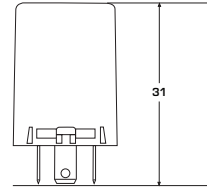


1010EP34

12 Volt electronic flasher

- Standard J.S.O. Pin-out
- New Down Sized Flasher
- Precise Square Wave I.C. Controller
- High Temperature Plastic Enclosure
- Solid State Relay Driver Technology
- Highest O.E.M. Quality Printed Circuit Board Materials
- Safety Warning with Fast Flash Rate When One Lamp Fails
- Meets or Exceeds D.O.T. Requirements

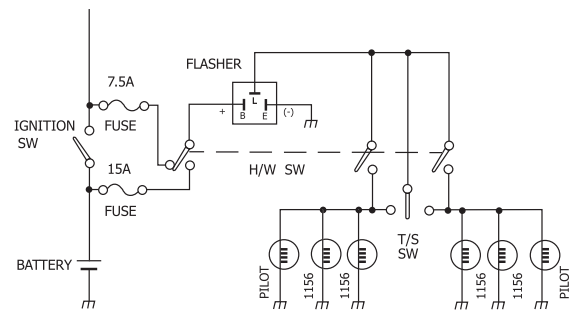


Application

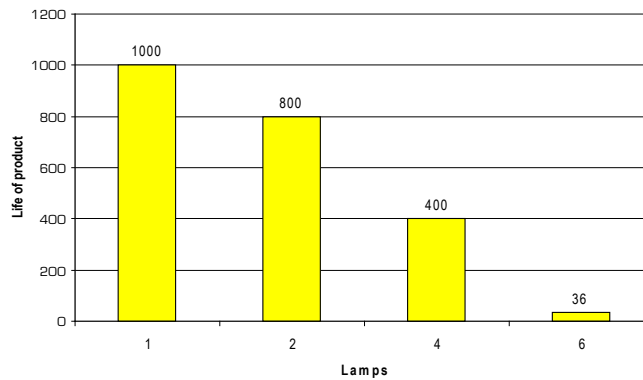
- ALL J.S.O. FLASHER APPLICATIONS
 - 2 Lamp Turn Signal, 4 Lamp Hazard flasher
 - Check ACD Tridon Application Guide for Vehicle

Design Life

- 600 Hours as a Combination Flasher



Technology vs design life vs lamp load



Characteristic	Min	Max	Unit
Load Rating	2	4	Lamps
Flash Rate	60	120	Flash/min
Duty Cycle	35	75	%
Time to 1st Flash		.75	Seconds
Voltage Drop		.4	V @ Max Load
Voltage Range	9	16	Volts
Temperature Range	-40	+85	Degrees C

>address

Triscan a/s
Engmarken 11
DK-8220 Brabrand
Denmark

>contact

Phone +45 8622 5811
Fax +45 8622 5877

>contact

email auto@triscan.dk
www.triscan.com